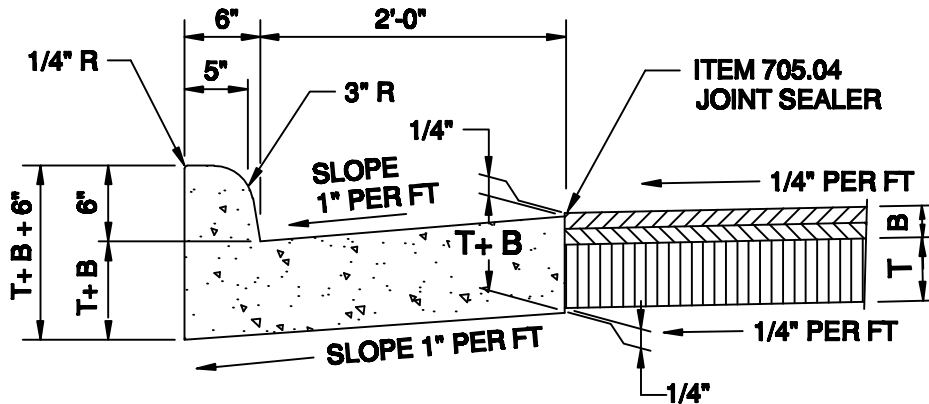


**TYPE 2-A CURB & GUTTER
INTEGRAL WITH CONCRETE PAVEMENT**

T = 8" MIN FOR RESIDENTIAL STREETS

T = 9" MIN FOR INDUSTRIAL STREETS



**MODIFIED TYPE 2 CURB & GUTTER
FOR ASPHALT PAVEMENT**

T = 7" MIN BASE FOR RESIDENTIAL STREETS

T = 8" MIN BASE FOR INDUSTRIAL STREETS

B = 3" FOR RESIDENTIAL STREETS

B = 3 1/2" FOR INDUSTRIAL STREETS

NOTE 1: THIS DETAIL IS VALID ONLY WHEN USED AS PRESENTED HERE, WITHOUT CHANGES, AND IN CONJUNCTION WITH ANY GENERAL NOTES AND/OR OTHER DETAILS WHICH MAY APPLY. ANY CHANGES TO THIS DETAIL SHALL FIRST BE SUBMITTED TO AND APPROVED BY THE CITY ENGINEER.

NOTE 2: BEFORE ANY EXCAVATING, CALL THE FOLLOWING NUMBERS AT LEAST 48 HOURS IN ADVANCE: O.U.P.S. @ (800) 362-2764 AND O.A.G.P.U.P.S. @ (800) 925-0998.

City of Wooster : Division of Engineering

538 N. Market Street Wooster, Ohio 44601

Phone: (330) 263-5234

Fax: (330) 263-5247

Joel Montgomery, P.E.
City Engineer

NO.	DATE	REVISION			
1	7/16/01	REV. "B" THICKNESS			
2	9/17/04	REV. "B" THICKNESS			
"	"	REV. COMM. ST. TO INDUST.			
3	9/24/04	REV. "T" THICKNESS			

**CURB & GUTTER
DETAILS**

CAD FILE:
ENGINEERING STANDARDS/PV-5.DWG

SHEET:

DRWN BY: AJM APPRD BY: EPO ISSUE DATE: 11/08/00 SCALE: NONE

PV-5.0