

FIELD NOTE: KNUCKLE PLATES MUST BE LOCATED SO THAT 6" SPACE BETWEEN M402 SUPPORT ANGLES IS 6" OF WEIR BOX FOR OVERFLOW.

FITTINGS FURN. & INSTALLED BY CB#1 Co.	
No	DESCRIPTION
1	24" ϕ ROOF DOOR
1	18x24 SHELL MANHOLE
1	5'-0" x 4'-0" CUPULA (4 SCREENED OPENINGS) (W/1 HINGED, SCREENED OPENING W/HASP)
1	12" ϕ INLET CUTLET CONN. W/6" HIGH SILT STOP
1	6" ϕ DRAIN W/1'-6" x 1'-3" DEEP SUMP
1	6" ϕ INSIDE O'FLOW TO GROUND W/WEIR BOX
1	OUTSIDE LADDER & SAFETY CAGE
1	SET LADDER BENDS
1	WATER LEVEL MEASURING & RECORDING DEVICE
PIPING BY CB#1 Co IN ACCORDANCE WITH CUSTOMER'S SPECIFICATION	

- Keyed Notes:
- 1 - Coat the concrete foundation
 - 2 - Install closed cell backer rod and joint sealant
 - 3 - Install a flap gate on the overflow pipe discharge
 - 4 - Install a 30 inch manway in the sidewall opposite existing manway
 - 5 - Replace roof vent with a frost-free pressure vacuum vent
 - 6 - Install a railing section at the top of the ladder

RECEIVED APR 2 1 1998

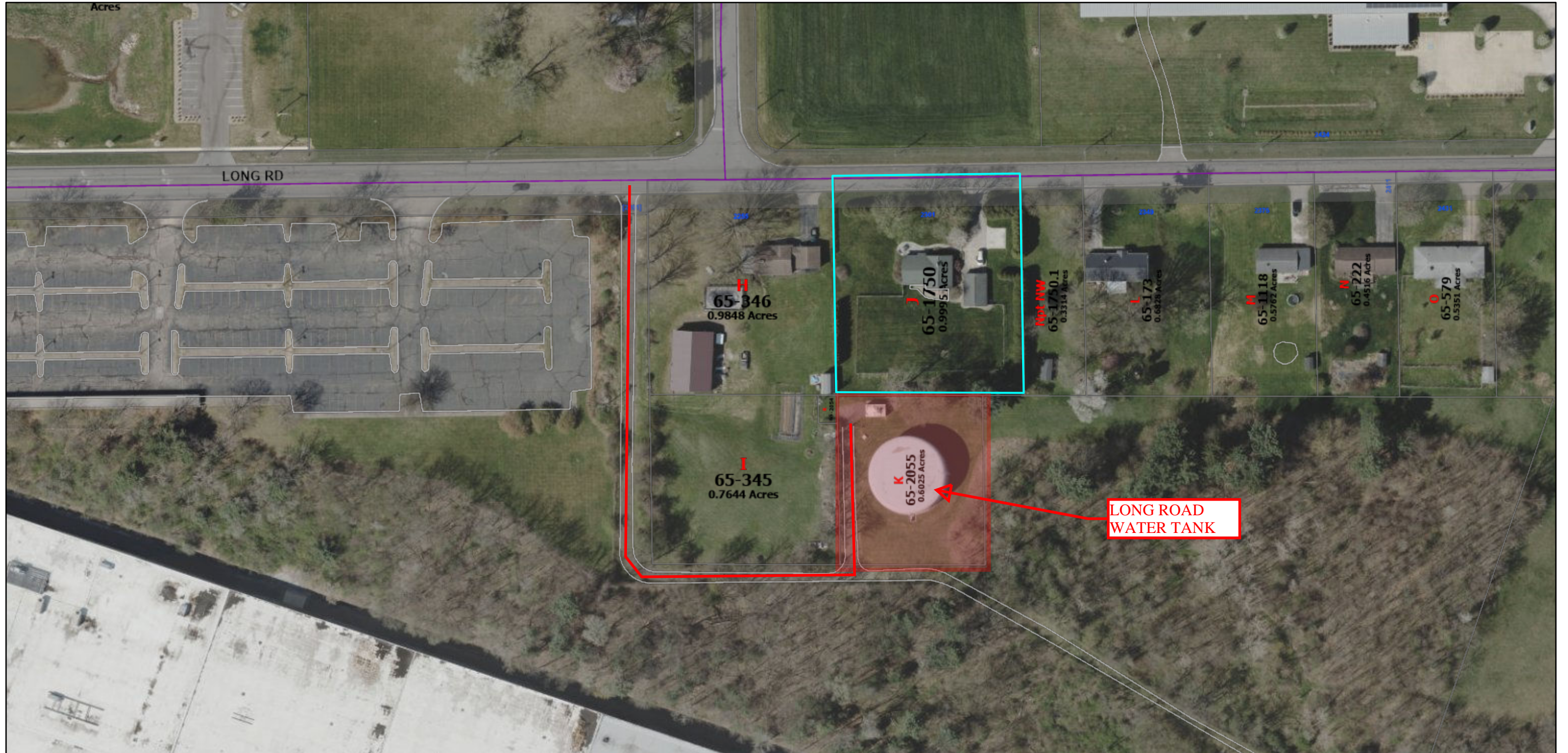
LONG RD. WATER TANK

DETAILS & MATERIALS FOR ONE TANK - 1 TANK REQ'D
 THIS DRAWING IS THE PROPERTY OF THE CHICAGO BRIDGE & IRON COMPANY AND IS TO BE USED ONLY IN CONNECTION WITH THE PERFORMANCE OF WORK BY THE CHICAGO BRIDGE & IRON COMPANY. REPRODUCTION IN WHOLE OR IN PART FOR ANY OTHER PURPOSE IS EXPRESSLY FORBIDDEN.

PURCHASER'S ORDER NO.				PURCHASER'S RECON. NO.			
CHICAGO BRIDGE & IRON COMPANY CHICAGO, ILL. GREENVILLE, PA. - NEW CASTLE, DEL. SALT LAKE CITY, UTAH - BIRMINGHAM, ALA.							
GENERAL PLAN 80'-0" x 27'-0" HIGH SPHERICAL CITY OF WOODSTER WOODSTER OHIO							
DRAWN BY: HEM				DATE: 5-29-60			
CHECKED BY: LGA				DATE: 5-29-60			
DRAWING 1 OF 7				CONTRACT NO. 8-1001			

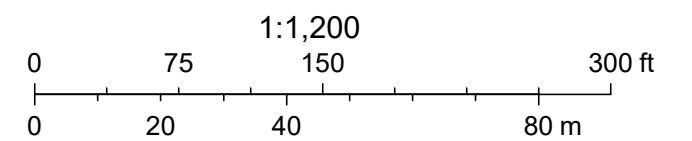
FILMED
1999

Long Road Tank Painting Site Access

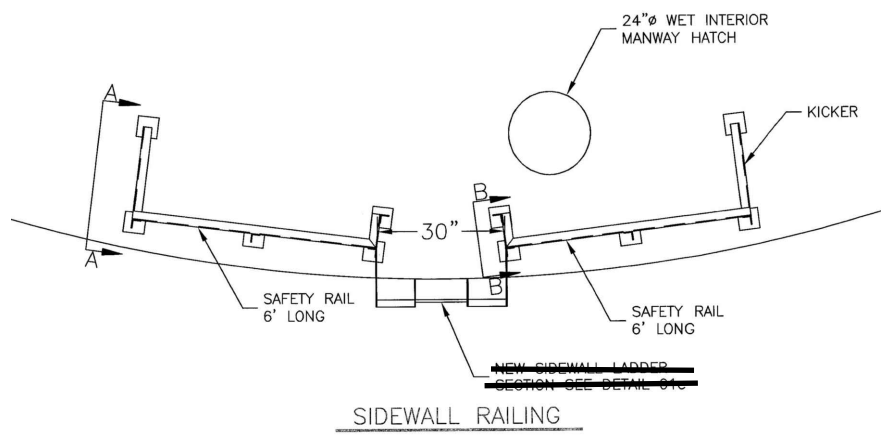


12/19/2024, 9:40:00 AM

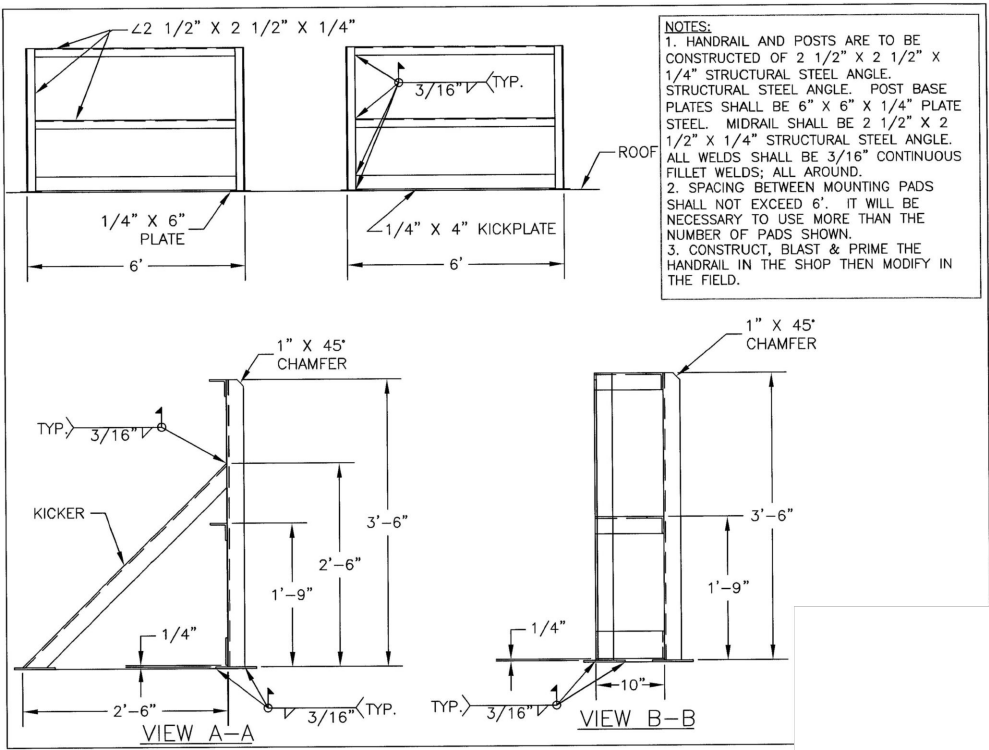
- Municipal Boundary
- Right-of-Way
- Street Edge
- Pavement
- Road Centerlines DDTi
- Parcels
- Municipal Route



- SHADING INDICATES AREA THAT MAY BE USED BY THE CONTRACTOR FOR WORK, EQUIPMENT STORAGE, ETC.
- LINE INDICATES ACCESS PATH TO THE SITE. ACCESS SHALL BE MADE FROM LONG ROAD.



SIDEWALL RAILING



LONG ROAD WATER TANK PAINTING
 SIDE RAILING DETAIL

REVISED	DATE
1	01/01/2011
2	
3	
4	
5	
6	
7	
8	
9	
10	

SHEET
 1 OF 1